



Standard Specification for Installation of Lathing and Furring to Receive Interior and Exterior Portland Cement-Based Plaster¹

This standard is issued under the fixed designation C 1063; the number immediately following the designation indicates the year of original adoption or, in the case of revision, the year of last revision. A number in parentheses indicates the year of last reapproval. A superscript epsilon (ϵ) indicates an editorial change since the last revision or reapproval.

This standard has been approved for use by agencies of the Department of Defense.

1. Scope*

1.1 This specification covers the minimum requirements for lathing and furring for the application of exterior and interior portland cement-based plaster as in Specification C 926 or Specification C 841.

1.2 Where a fire resistance rating is required for plastered assemblies and constructions, details of construction shall be in accordance with reports of fire tests of assemblies that have met the requirements of the fire rating imposed.

1.3 Where a specific degree of sound control is required for plastered assemblies and constructions, details of construction shall be in accordance with official reports of tests conducted in recognized testing laboratories in accordance with the applicable requirements of Test Method E 90.

1.4 The values stated in inch-pound units are to be regarded as the standard. The SI (metric) values given in parentheses are approximate and are provided for information purposes only.

2. Referenced Documents

2.1 ASTM Standards:²

A 526/A 526M Specification for Steel Sheet, Zinc-Coated (Galvanized) by the Hot-Dip Process, Commercial Quality³

A 641/A 641M Specification for Zinc-Coated (Galvanized) Carbon Steel Wire

A 653/A 653M Specification for Steel Sheet, Zinc-Coated (Galvanized) or Zinc-Iron Alloy-Coated (Galvannealed) by the Hot-Dip Process

B 69 Specification for Rolled Zinc

B 221 Specification for Aluminum and Aluminum-Alloy Extruded Bars, Rods, Wire, Profiles, and Tubes

C 11 Terminology Relating to Gypsum and Related Building Materials and Systems

C 841 Specification for Installation of Interior Lathing and Furring

C 847 Specification for Metal Lath

C 926 Specification for Application of Portland Cement-Based Plaster

C 933 Specification for Welded Wire Lath

C 954 Specification for Steel Drill Screws for the Application of Gypsum Panel Products or Metal Plaster Bases to Steel Studs from 0.033 in. (0.84 mm) to 0.112 in. (2.84 mm) in Thickness

C 1002 Specification for Steel Self-Piercing Tapping Screws for the Application of Gypsum Panel Products or Metal Plaster Bases to Wood Studs or Steel Studs

C 1032 Specification for Woven Wire Plaster Base

D 1784 Specification for Rigid Poly(Vinyl Chloride) (PVC) Compounds and Chlorinated Poly(Vinyl Chloride) (CPVC) Compounds

D 4216 Specification for Rigid Poly(Vinyl Chloride) (PVC) and Related PVC and Chlorinated Poly(Vinyl Chloride) (CPVC) Building Products Compounds

E 90 Test Method for Laboratory Measurement of Airborne Sound Transmission Loss of Building Partitions and Elements

3. Terminology

3.1 *Definitions*—For definitions relating to Ceilings and Walls, see Terminology C 11.

3.2 *Definitions of Terms Specific to This Standard:*

3.2.1 *hangers*—wires or steel rods or straps used to support main runners for suspended ceilings beneath floor or roof constructions.

3.2.2 *inserts*—devices embedded in concrete structural members to provide a loop or opening for attachment of hangers.

3.2.3 *saddle tie*—see Figs. 1 and 2.

¹ This specification is under the jurisdiction of ASTM Committee C11 on Gypsum and Related Building Materials and Systems and is the direct responsibility of Subcommittee C11.03 on Specifications for the Application of Gypsum and Other Products in Assemblies.

Current edition approved Dec. 1, 2006. Published December 2006. Originally approved in 1986. Last previous edition approved in 2003 as C 1063 – 03.

² For referenced ASTM standards, visit the ASTM website, www.astm.org, or contact ASTM Customer Service at service@astm.org. For *Annual Book of ASTM Standards* volume information, refer to the standard's Document Summary page on the ASTM website.

³ Withdrawn; see 1994 *Annual Book of ASTM Standards*, Vol 01.06.

*A Summary of Changes section appears at the end of this standard.

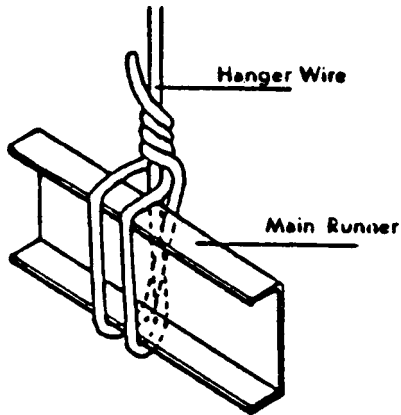


FIG. 1 Saddle Tie

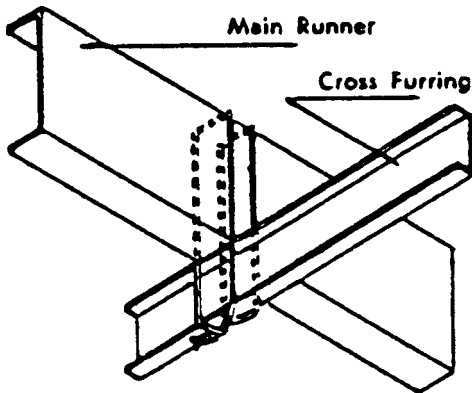


FIG. 2 Saddle Tie

3.2.4 *self-furring*—a metal plaster base manufactured with evenly-spaced indentations that hold the body of the lath approximately ¼ in. (6.4 mm) away from solid surfaces to which it is applied.

3.2.5 *framing member, n*—studs, joist, runners (track), bridging, bracing, and related accessories manufactured or supplied in wood or light gauge steel.

4. Delivery of Materials

4.1 All materials shall be delivered in the original packages, containers, or bundles bearing the brand-name and manufacturer’s (or supplier’s) identification.

5. Storage of Materials

5.1 All materials shall be kept dry. Materials shall be stacked off the ground, supported on a level platform, and protected from the weather and surface contamination.

5.2 Materials shall be neatly stacked with care taken to avoid damage to edges, ends, or surfaces.

5.3 Paper backed metal plaster bases shall be handled carefully in delivery, storage, and erection to prevent puncturing or removal of paper.

6. Materials

6.1 *Metal Plaster Bases:*

6.1.1 *Expanded Metal Lath*—Specification C 847, galvanized.

6.1.2 *Wire Laths:*

6.1.2.1 *Welded Wire Lath*—Specification C 933.

6.1.2.2 *Woven Wire Lath*—Specification C 1032.

6.1.2.3 *Paper Backed Plaster Bases*—Specification C 847.

6.2 *Accessories:*

6.2.1 *General*—All accessories shall have perforated or expanded flanges or clips shaped to permit complete embedment in the plaster, to provide means for accurate alignment, and to secure attachment of the accessory to the underlying surface. Accessories shall be designed to receive application of the specified plaster thickness.

6.2.2 Accessories shall be fabricated from Zinc Alloy (99 % pure zinc), galvanized (zinc coated) steel, rigid PVC or CPVC plastic, or anodized aluminum alloy. See Specification B 221. (See Table 1 for minimum allowable thicknesses).

NOTE 1—The selection of an appropriate type of material for accessories shall be determined by applicable surrounding climatic and environmental conditions specific to the project location, such as salt air, industrial pollution, high moisture, or humidity.

6.2.3 *Steel*—Specification A 526/A 526M and shall have a G60 coating.

6.2.4 *PVC Plastic*—Specification D 1784 or D 4216.

6.2.5 *Zinc Alloy*—Specification B 69, 99 % pure zinc.

6.2.6 Thickness of base material shall be as shown in Table 1.

6.2.7 *Cornerite*—1.75 lb/yd²(0.059 kg/m²), galvanized expanded metal lath, galvanized, 1.7 lb/yd²(0.057 kg/m²) galvanized woven or welded wire fabric of 0.0410 in. (1.04 mm) wire. When shaped for angle reinforcing, it shall have outstanding flanges (legs) of not less than 2 in. (51 mm).

6.3 *Channels*—Shall be cold-formed from steel with minimum 33 000 psi (228 MPa) yield strength and 0.0538 in. (1.37 mm) minimum bare steel thickness. Channel shall have a protective coating conforming to Specification A 653/A 653M—G60, or have a protective coating with an equivalent corrosion resistance for exterior applications, or shall be coated with a rust inhibitive paint, for interior applications, and shall have the following minimum weights in pounds per 1000 linear feet (kg/m).

Sizes, in. (mm)	Weight, lb/1000 ft (kg/m)	Flange Width, in. (mm)
¼ (19)	277 (0.412)	½ (13)
1½ (38)	414 (0.616)	½ (13)
2 (51)	506 (0.753)	½ (13)
2½ (64)	597 (0.888)	½ (13)

NOTE 2—Channels used in areas subject to corrosive action of salt air shall be hot-dipped galvanized, G60 coating.

6.3.1 *External Corner Reinforcement*—Expanded lath, welded wire, or woven wire mesh bent to approximately 90° used to reinforce portland cement stucco at external corners. This accessory shall be fully embedded in the stucco.

6.3.2 *Foundation Weep Screed*—Accessory used to terminate portland cement based stucco at the bottom of exterior

TABLE 1 Minimum Thickness of Accessories

Accessory	Base Material, in. (mm)		
	Steel	Zinc Alloy	P.V.C.
Corner Beads	0.0172 (0.44)	0.0207 (0.53)	0.035 (0.89)
Casing Beads	0.0172 (0.44)	0.0207 (0.53)	0.035 (0.89)
Weep Screeds	0.0172 (0.44)	0.0207 (0.53)	0.050 (1.27)
Control Joints	0.0172 (0.44)	0.018 (0.46)	0.050 (1.27)

walls. This accessory shall have a sloped, solid, or perforated, ground or screed flange to facilitate the removal of moisture from the wall cavity and a vertical attachment flange not less than 3½ in. (89 mm) long.

6.4 *Wire*—As specified in Specification **A 641/A 641M** with a Class I zinc coated (galvanized), soft temper steel. Wire diameters (uncoated) specified herein correspond with United States Steel Wire Gauge numbers as follows:

Wire Gauge (US Steel Wire Gauge)	Diameter (in.)	mm
No. 20	0.0348	.88
No. 19	0.0410	1.04
No. 18	0.0475	1.21
No. 17	0.0540	1.37
No. 16	0.0625	1.59
No. 14	0.0800	2.03
No. 13	0.0915	2.32
No. 12	0.1055	2.68
No. 11	0.1205	3.06
No. 10	0.1350	3.43
No. 9	0.1483	3.77
No. 8	0.1620	4.12

6.5 *Rod and Strap Hangers*—Mild steel, zinc or cadmium plated, or protected with a rust-inhibiting paint.

6.6 *Clips*—Form from steel wire, Specification **A 641/A 641M** zinc-coated (galvanized), Specification **A 641/A 641M** or steel sheet, Specification **A 526/A 526M**, depending on use and manufacturer’s requirements.

6.7 *Fasteners*:

6.7.1 *Nails*—For attaching metal plaster bases to wood supports, 0.1205-in. 11 gauge (3.06-mm) diameter, 7/16-in. (11.1-mm) head, barbed, galvanized roofing nails or galvanized common nails.

6.7.1.1 Nails for attaching metal plaster bases to solid substrates shall be not less than ¾ in. (19 mm) long.

6.7.2 Screws for attaching metal plaster base shall be fabricated in accordance with either Specification **C 954** or **C 1002** and shall have a 7/16 in. (11.1 mm) diameter pan wafer head and a 0.120 in. (3.0 mm) diameter shank. Screws used for attachment to metal framing members shall be self-drilling and self-tapping. Screws used for attachment to wood framing members shall be sharp-point.

7. Installation

7.1 *Workmanship*—Metal furring and lathing shall be erected so that the finished plaster surfaces are true to line (allowable tolerance of ¼ in. [6.4 mm] in 10 ft [3.05 m]), level, plumb, square, or curved as required to receive the specified plaster thickness.

7.2 *Hangers and Inserts*:

7.2.1 Hangers shall be of ample length and shall conform to the requirements of **Table 2** both as to size and maximum area to be supported, except as modified in this section.

7.2.2 When 1 by ¾-in. (25 by 4.8-mm) flat inserts and hangers are used, 7/16-in. (11.1-mm) diameter holes shall be

TABLE 2 Allowable Support or Hanger Wire Spacing ft-in. (mm) and Cold-Rolled Channel Main Runner Spans, ft-in. (mm)¹⁻¹⁰

NOTE—1 in. = 25.4 mm; 1 ft² = 0.093 m²

Member Size, in. (mm)	Member Weight, lb/1000 ft (kg/m)	Span Condition ^{9,10}	Uniform Load = 12 psf (0.479 kPa)				
			Member Spacing, in. (mm)				
			24 (610)	36 (914)	48 (1220)	60 (1520)	72 (1830)
			Allowable Hanger Wire or Support Spacing, ft-in. (mm)				
1½ (38.1)	414 (0.615)	Single	3-6 (1070)	3-1 (940)	2-9 (840)	2-9 (790)	2-5 (740)
		2 or More	4-11 (1500)	4-2 (1270)	3-7 (1090)	3-2 (970)	2-11 (890)
2 (50.8)	506 (0.753)	Single	3-9 (1140)	3-3 (990)	3-0 (910)	2-9 (840)	2-8 (810)
		2 or More	5-2 (1570)	4-6 (1370)	4-1 (1240)	3-10 (1170)	3-7 (1090)
2½ (63.5)	597 (0.888)	Single	3-11 (1190)	3-5 (1040)	3-2 (970)	2-11 (890)	2-9 (840)
		2 or More	5-5 (1650)	4-9 (1450)	4-4 (1320)	4.0 (1220)	3-10 (1170)

Member Size, in. (mm)	Member Weight, lb/1000 ft (kg/m)	Span Condition ^{9,10}	Uniform Load = 15 psf (0.287 kPa)				
			Member Spacing, in. (mm)				
			24 (610)	36 (914)	48 (1220)	60 (1520)	72 (1830)
1½ (38.1)	414 (0.616)	Single	3-3 (990)	2-10 (860)	2-7 (790)	2-4 (710)	2-2 (660)
		2 or More	4-6 (1370)	3-8 (1120)	3-2 (970)	2-10 (860)	2-7 (790)
2 (50.8)	506 (0.753)	Single	3-6 (1070)	3-1 (940)	2-10 (880)	2-7 (790)	2-5 (740)
		2 or More	4-10 (1470)	4-3 (1300)	3-10 (1170)	3-6 (1070)	3-3 (990)
2½ (63.5)	597 (0.888)	Single	3-8 (1120)	3-3 (990)	2-11 (890)	2-9 (840)	2-7 (790)
		2 or More	5-0 (1520)	4-5 (1350)	4-0 (1220)	3.9 (1140)	3-6 (1070)

Allowable Spans Notes:

¹ Bare metal thickness of cold-rolled main runners shall be not less than 0.0538 in. (1.367 mm).

² Inside corner radii shall not be greater than ⅛ in. (3.19 mm).

³ Spans based on upper flange of main runners laterally unbraced.

⁴ Maximum deflection limited to 1/360 of the span length.

⁵ Steel yield stress, F_y, shall be not less than 33 000 psi (228 MPa).

⁶ Uniform load 12 psf (dry density) shall be used for portland cement plaster ceilings with plaster thicknesses up to 7/8 in. (22 mm) and 15 psf shall be used for ceilings with plaster thicknesses over 7/8 in. (22 mm) and not more than 1-¼ in. (32 mm).

⁷ “2 or More” spans refers to two or more continuous, equal spans.

⁸ For the “2 or More” span condition, listed spans represent the center-to-center distance between adjacent supports.

⁹ These tables are designed for dead loads. Specific conditions such as exterior installations in high wind areas require additional engineering.

¹⁰ Where uplift resistance is required for suspended ceilings to resist negative forces, the architect or engineer of record shall select the method to be used.

provided on the center line at the lower end of the insert and upper end of the hanger to permit the attachment of the hanger to the insert. The edge of the holes in both the inserts and the hangers shall be not less than $\frac{3}{8}$ in. (9.5 mm) from the ends.

7.2.3 In concrete, hangers shall be attached to inserts embedded in the concrete or to other attachment devices designed for this purpose and able to develop full strength of the hanger.

7.2.4 Flat, steel hangers shall be bolted to 1 by $\frac{3}{16}$ -in. (25 by 4.8-mm) inserts with $\frac{3}{8}$ -in. (9.5-mm) diameter round-head stove bolts. (See Fig. 3.)

7.2.5 The nuts of the bolts shall be drawn up tight.

NOTE 3—Hangers required to withstand upward wind pressures shall be of a type to resist compression. Struts of formed channels shall be permitted.

7.3 *Installation of Hangers for Suspended Ceilings Under Wood Constructions*—Hangers shall be attached to supports by any of the following methods:

7.3.1 A hole shall be drilled through the wood member not less than 3 in. (76 mm) above the bottom with the upper end of the wire hanger passed through the hole and twisted three times around itself. See Fig. 4.

7.3.2 Three 12d nails shall be driven, on a downward slant, into the sides of the wood member with not less than $1\frac{1}{4}$ in. (31.8 mm) penetration and not less than 5 in. (127 mm) from the bottom edges, and not more than 36 in. (914 mm) on the center with the upper end of the wire hanger wrapped around the nails and twisted three times around itself. See Fig. 5.

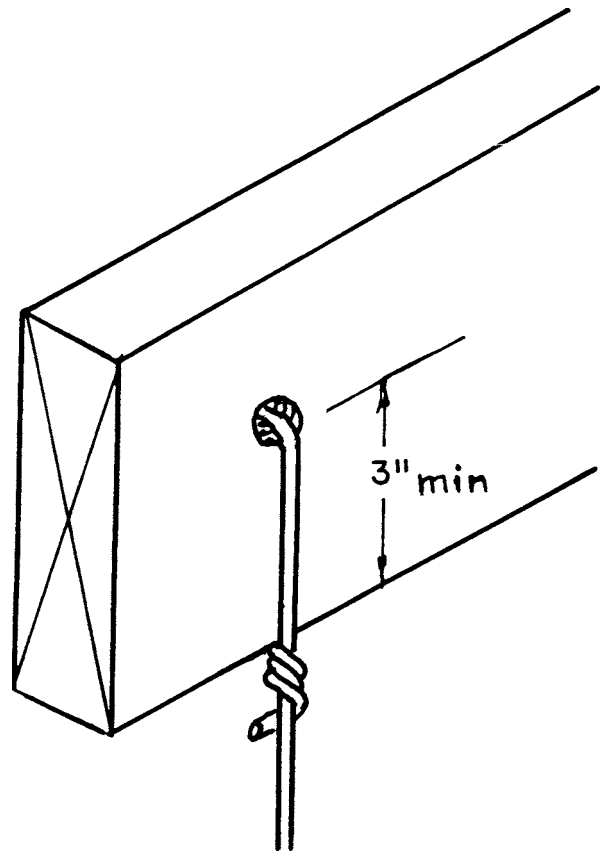


FIG. 4 Hanger Attached to Support Through a Drilled Hole

7.3.3 A loop shall be formed in the upper end of the wire hanger and secured to the wood member by four $1\frac{1}{2}$ -in. (38.1-mm), not less than 9 gauge, 0.1483-in. (3.77-mm) diameter wire staples driven horizontally or on a downward slant into the sides of the wood members, three near the upper end of the loop and the fourth to fasten the loose end. See Fig. 6.

7.3.4 Where supports for flooring are thicker than $1\frac{1}{2}$ in. (38.1 mm) and are spaced more than 4 ft (1.2 m) on center, $1\frac{1}{2}$ in. (38.1-mm) No. 1/0 (0.3065 in.) (7.78 mm) eye screws, or equivalent, spaced not more than 3 ft (0.9 m) on centers shall be screwed into the flooring supports with the upper end of the wire hanger inserted through the eye screws and twisted three times around itself.

7.3.5 Two holes shall be drilled in the upper end of the flat hangers and nailed to the sides of the wood members with 12d nails driven through the holes and clinched. Nails shall be not less than 3 in. (76 mm) above the bottom edge of the framing member. See Fig. 7.

7.4 *Attachment of Hangers to Main Runners:*

7.4.1 Wire hangers shall be saddle-tied to the runners. See Fig. 1.

7.4.2 Smooth or threaded rod hangers shall be fastened to the runners with special attachments appropriate to the design.

7.4.3 The lower ends of flat hangers shall be bolted to the main runners, or bent tightly around the runners and carried up and above the runners and bolt to the main part of the hanger. Bolts shall be $\frac{3}{8}$ -in. (9.5-mm) diameter, round-head stove bolts. See Fig. 3.

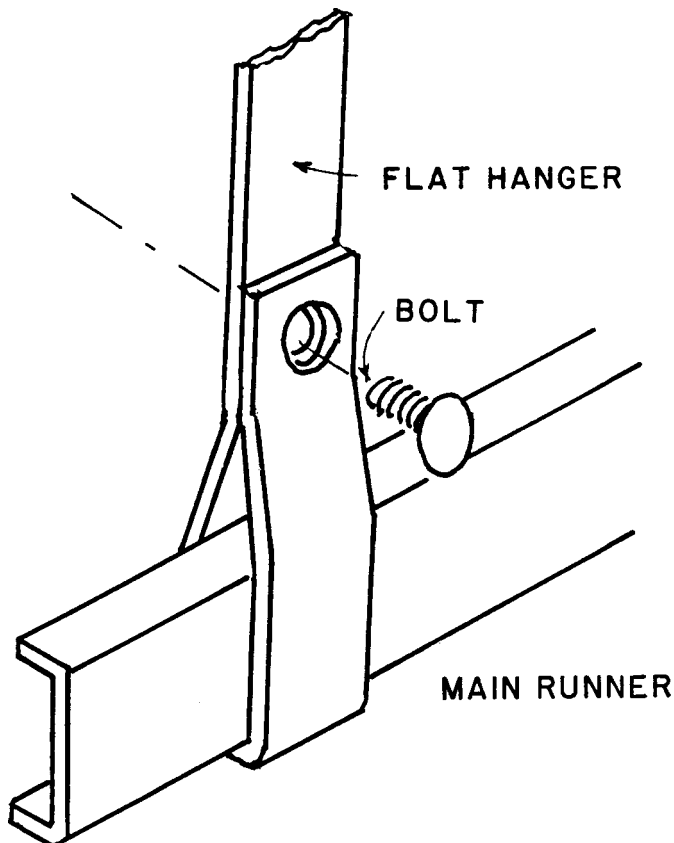


FIG. 3 Flat Hanger Attached to Main Runner Using Round-Head Stove Bolt

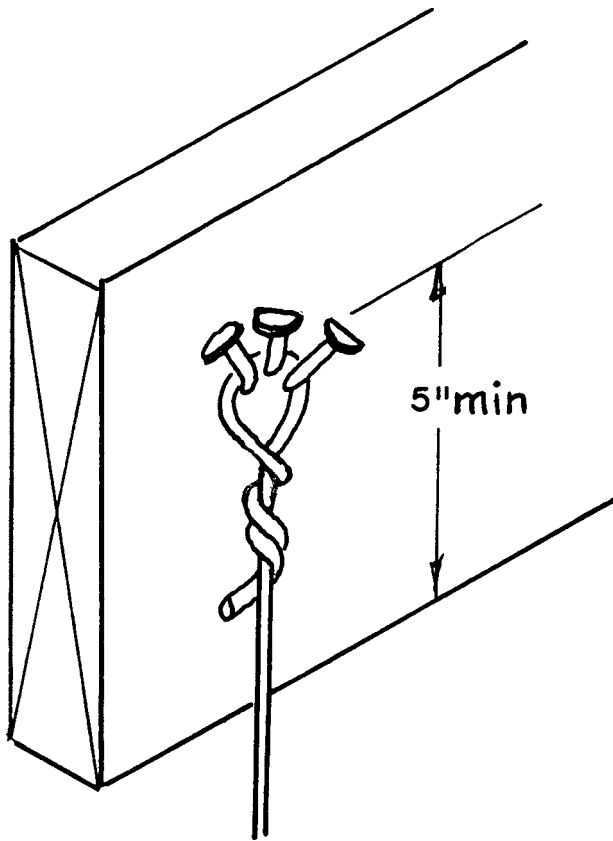


FIG. 5 Hanger Attached to Support Using Nails

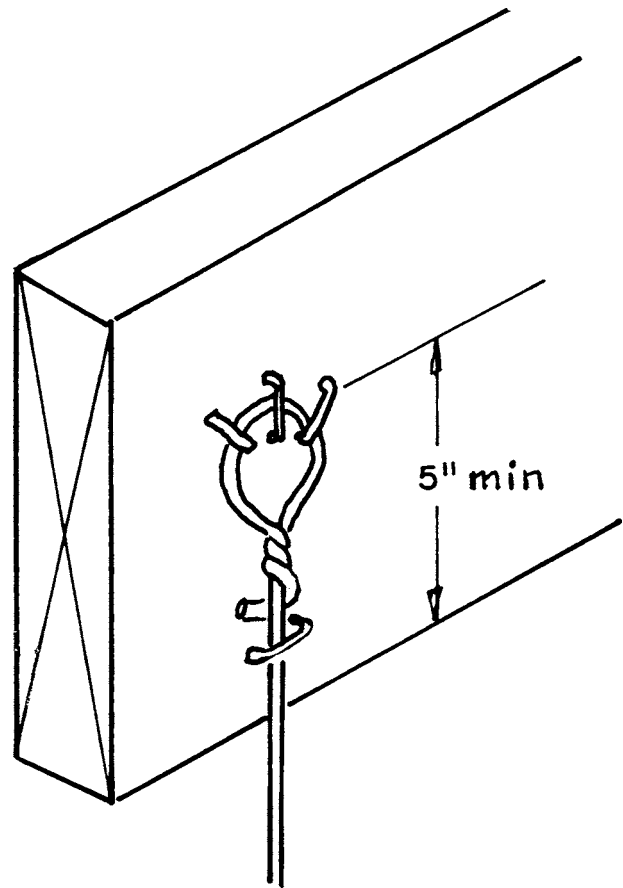


FIG. 6 Hanger Attached to Support Using Staples

7.5 Installation of Main Runners:

7.5.1 Minimum sizes and maximum spans and spacings of main runners for the various spans between hangers or other supports shall be in accordance with the requirements of Table 2.

7.5.2 A clearance of not less than 1 in. (25 mm) shall be maintained between the ends of the main runners and the abutting masonry or the concrete walls, partitions, and columns. Where special conditions require that main runners let into abutting masonry or concrete construction, within such constructions maintain a clearance of not less than 1 in. (25 mm) from the ends and not less than 1/4 in. (6.4 mm) from the tops and sides of the runners.

7.5.3 A main runner shall be located within 6 in. (152 mm) of the paralleling walls to support the ends of the cross furring. The ends of main runners shall be supported by hangers located not more than 6 in. (152 mm) from the ends.

7.5.4 Where main runners are spliced, the ends shall be overlapped not less than 12 in. (305 mm) with flanges of channels interlocked and securely tied near each end of the splice with double loops of 0.0625 in. (1.59 mm) or double loops of twin strands of 0.0475-in. (1.21-mm) galvanized wire. However, when the splice occurs at an expansion/control joint, the channel shall be nested and loosely tied to hold together but still allow movement.

7.5.5 Hanger wires shall hang straight down. If an obstacle prevents this, a trapeze type device shall be used to allow hanger wires to hang straight.

7.6 Installation of Cross Furring:

7.6.1 Minimum size and maximum spans and spacings of various types of cross furring for various spans between main runners and supports shall conform to the requirements of Table 2.

7.6.2 Cross furring shall be saddle-tied to main runners with 0.0625-in. 16 gauge (1.59-mm) galvanized wire, or a double strand of 0.0475-in. 18 gauge (1.21-mm) galvanized wire or with special galvanized clips, or equivalent attachments. (See Fig. 2.)

7.6.3 Where cross furring members are spliced, the ends shall be overlapped not less than 8 in. (203 mm), with flanges of channels interlocked, and securely tied near each end of the splice with double loops of 0.0625-in. 16 gauge (1.59-mm) galvanized wire or twin strands of 0.0475-in. 18 gauge (1.21-mm) galvanized wire.

7.6.4 Cross furring shall not come into contact with abutting masonry or reinforced concrete walls or partitions except, where special conditions require that cross furring be let into abutting masonry or concrete construction, the applicable provisions of 7.5.2 shall apply.

7.6.5 Main runners and cross running shall be interrupted at control (expansion) joints. However, when the splice occurs at an expansion/control joint, the channel shall be nested and loosely tied to hold together but still allow movement.

7.7 Metal Furring for Walls:

7.7.1 Attachments for furring shall be concrete nails driven securely into concrete or into masonry joints, short pieces of

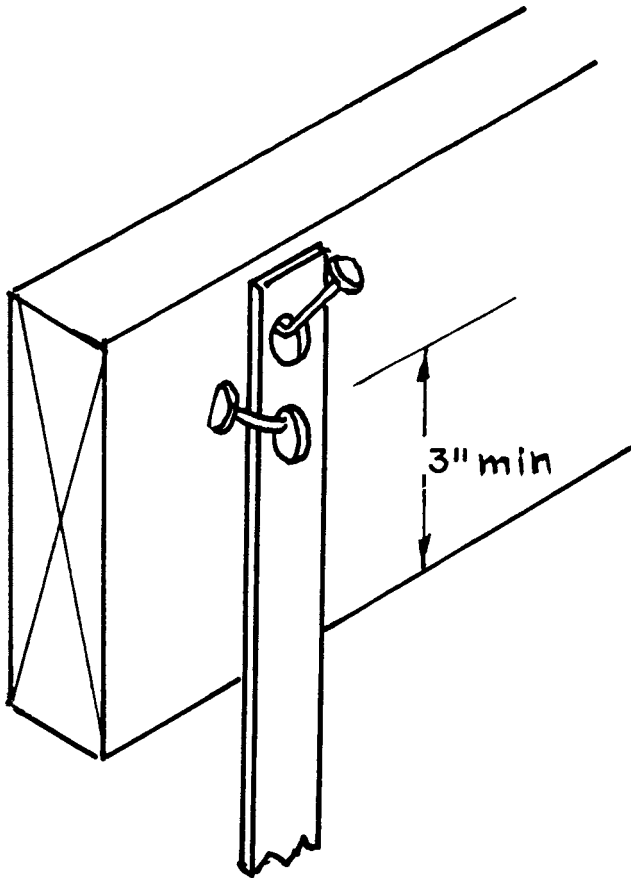


FIG. 7 Flat Hanger Attached to Support Using Nails

3/4-in. (19.1-mm) channels used as anchors driven into masonry joints, or other devices specifically designed as spacer elements, spaced horizontally not more than 2 ft (0.6 m) on centers. They shall be spaced vertically in accordance with horizontal stiffener spacing so that they project from the face of the wall in order for ties to be made.

7.7.2 Horizontal stiffeners shall be not less than 3/4 in. (19.5-mm) cold-rolled channels, spaced not to exceed 54 in. (1372 mm) on centers vertically, with the lower and upper channels not more than 6 in. (152 mm) from the ends of vertical members and not less than 1/4 in. (6.4 mm) clear from the wall face, securely tied to attachments with three loops of galvanized, soft-annealed wire, or equivalent devices. Approved furring is not prohibited from use in this application.

7.7.3 Vertical members shall be not less than 3/4 in. (19.5-mm) cold-rolled channels in accordance with the requirements of Table 3. Vertical members shall be saddle-tied to horizontal stiffeners with three loops of 0.0475-in. (1.21-mm) galvanized soft-annealed wire, or equivalent devices, at each crossing, and securely anchored to the floor and ceiling constructions. Where furring is not in contact with the wall, channel braces shall be installed between horizontal stiffeners and the wall, spaced horizontally not more than 2 ft (600 mm) on centers.

7.7.4 Where dampproofing has been damaged during installation of attachments, the dampproofing shall be repaired with the same material before proceeding with the installation of the furring.

7.8 Lapping of Metal Plaster Bases:

TABLE 3 Types and Weights of Metal Plaster Bases and Corresponding Maximum Permissible Spacing of Supports

Type of Metal Plaster Base	Minimum Weight of Metal Plaster Base, lb/yd ² (kg/m ²)	Maximum Permissible Spacing of Supports Center to Center, in. (mm)				
		Walls (Partitions)			Ceilings	
		Wood Studs or Furring	Solid Partitions ^A	Steel Studs or Furring	Wood or Concrete	Metal
<i>U.S. Nominal Weights:</i>						
Diamond Mesh ^B	2.5 (1.4)	16 (406) ^C	16 (406)	16 (406) ^C	12 (305)	12 (305)
	3.4 (1.8)	16 (406) ^C	16 (406)	16 (406) ^C	16 (406)	16 (406)
Flat Rib	2.75 (1.5)	16 (406)	16 (406)	16 (406)	16 (406)	16 (406)
	3.4 (1.8)	19 (482)	24 (610)	19 (482)	19 (482)	19 (482)
Flat Rib (large opening)	1.8 (0.95)	24 (610)	24 (610)	24 (610)	16 (406)	16 (406)
3/8 in. Rib	3.4 (1.8)	24 (610)	N/A ^D	24 (610)	24 (610)	24 (610)
	4.0 (2.1)	24 (610)	N/A	24 (610)	24 (610)	24 (610)
3/4 in. Rib	5.4 (2.9)	24 (610)	N/A	24 (610)	36 (914)	36 (914)
Welded Wire ^B	1.14 (0.62)	16 (406)	16 (406)	16 (406)	16 (406)	16 (406)
	1.95 (1.1)	24 (610)	24 (610)	24 (610)	24 (610)	24 (610)
Woven Wire ^B	1.1 (0.6)	24 (610)	16 (406)	16 (406)	16 (406)	24 (610)
	1.4 (0.76)	24 (610)	16 (406)	16 (406)	24 (610)	16 (406)
<i>Canadian Nominal Weights:</i>						
Diamond Mesh ^B	2.5 (1.4)	16 (406)	12 (305)	12 (305)	12 (305)	12 (305)
	3.0 (1.6)	16 (406)	12 (305)	12 (305)	12 (305)	12 (305)
	3.4 (1.8)	16 (406)	16 (406)	16 (406)	16 (406)	16 (406)
Flat Rib	2.5 (1.4)	16 (406)	12 (305)	12 (305)	12 (305)	12 (305)
	3.0 (1.6)	16 (406)	16 (406)	16 (406)	16 (406)	13 1/2 (343)
3/8 in. Rib	3.0 (1.6)	19 (482)	N/A	16 (406)	16 (406)	16 (406)
	3.5 (1.9)	24 (610)	N/A	19 (482)	19 (482)	19 (482)
	4.0 (2.1)	24 (610)	N/A	24 (610)	24 (610)	24 (610)

^A Where plywood is used for sheathing, a minimum of 1/8 in. (3.2 mm) separation shall be provided between adjoining sheets to allow for expansion.

^B Metal plaster bases shall be furred away from vertical supports or solid surfaces at least 1/4 in. Self-furring lath meets furring requirements; except, furring of expanded metal lath is not required on supports having a bearing surface of 1 1/2 in. or less.

^C These spacings are based on unsheathed walls. Where self-furring lath is placed over sheathing or a solid surface, the permissible spacing of supports shall be no more than 24 in. (610 mm).

^D Not applicable.

TABLE 4 Spans and Spacing of Cold-Rolled Channel Cross-Furring Members^{A, B, C, D, E, F}

Member Depth	Design Load, 12 psf (575 Pa)	Allowable Span, Main Runners or Supports Ft.-in. (mm)		
		Spacing, in. (mm)	Simple Span	Two or More Spans ^{G,H}
¾ (19)	12 psf (575 Pa)	13.5 (343)	2-9 (840)	3-5 (1040)
		16 (406)	2-7 (790)	3-3 (990)
		19 (483)	2-7 (740)	3-0 (910)
		24 (610)	2-3 (690)	2-10 (860)
1½ (38)	12 psf (575 Pa)	13.5 (343)	4-6 (1370)	5-8 (1730)
		16 (406)	4-3 (1300)	5-5 (1650)
		19 (483)	4-0 (1220)	5-1 (1550)
		24 (610)	3-8 (1120)	4-9 (1450)

^A Bare metal thickness of cold-rolled members shall not be less than 0.0538 in. (1.367 mm).

^B Inside corner radii shall not be greater than ⅛ in. (3.17 mm).

^C Spans based on upper flange of cross-furring laterally unbraced.

^D Maximum deflection limited to 1/360th of span length unbraced.

^E Steel yield stress, *F_y*, shall not be less than 33 000 psi (228 MPa).

^F Tabulated spans apply only to cross-furring with webs oriented vertically.

^G "Two or more" spans refers to two or more continuous, equal spans.

^H For the "two or more" span conditions, listed spans represent the center-to-center distance between adjacent supports.

7.8.1 Side laps of metal plaster bases shall be secured to framing members. They shall be tied between supports with 0.0475-in. (1.21-mm) wire at intervals not more than 9 in. (229 mm).

7.8.2 Metal lath shall be lapped ½ in. (12.7 mm) at the sides, or nest the edge ribs. Wire lath shall be lapped one mesh at the sides and the ends. Lap metal lath 1 in. (25 mm) at ends. Where end laps occur between the framing members, the ends of the sheets of all metal plaster bases shall be laced or wire tied with 0.0475-in. (1.21-mm) galvanized, annealed steel wire.

7.8.3 Where metal plaster base with backing is used, the vertical and horizontal lap joints shall be backing on backing and metal on metal.

7.8.3.1 Backing shall be lapped not less than 2 in. (50 mm). On walls, the backing shall be lapped so water will flow to the exterior. Backing shall not be placed between plaster base (lath) and flanges of accessories. Metal lath to metal flange contact shall be required to ensure that flanges are mechanically locked together.

7.9 *Spacing of Attachments for Metal Plaster Bases*—Attachments for securing metal plaster bases to framing members shall be spaced not more than 7 in. (178 mm) apart for diamond mesh and flat rib laths and at each rib for ⅜ in. (9.5-mm) rib lath.

7.10 *Application of Metal Plaster Bases:*

7.10.1 *General:*

7.10.1.1 The spacing of framing members for the type and weight of metal plaster base used shall conform to the requirements of Table 3. Metal plaster bases shall be attached to framing members at not more than 7 in. (178 mm) along framing members except for ⅜-in. (9.5-mm) rib metal lath that shall be attached at each rib.

7.10.1.2 Lath shall be applied with the long dimension at right angles to the supports, unless otherwise specified.

7.10.1.3 Ends of adjoining plaster bases shall be staggered.

7.10.1.4 Lath shall not be continuous through control joints but shall be stopped and tied at each side.

7.10.1.5 Where furred or suspended ceilings butt into or are penetrated by columns, walls, beams, or other elements, the edges and ends of the ceiling lath shall be terminated at the horizontal internal angles with a casing bead, control joint, or similar device designed to keep the edges and ends of the ceiling lath and plaster free of the adjoining vertically oriented, or penetrating elements. Cornerite shall not be used at these locations. A clearance of not less than ⅜ in. (9.5 mm) shall be maintained between the bead and all such elements.

7.10.1.6 Where load bearing walls or partitions butt into structural walls, columns, or floor or roof slabs, the sides or ends of the wall or partition lath shall be terminated at the internal angles with a casing bead, expansion/control joint, or similar device designed to keep the sides and ends of the wall or partition lath free of the adjoining elements. Cornerite shall not be used at these internal angles. A clearance of not less than ⅜ in. (9.5 mm) shall be maintained from all abutting walls, columns, or other vertical elements.

7.10.2 *Attachments for Metal Plaster Bases to Wood Framing Members:*

7.10.2.1 Lath shall be attached to framing members with attachments spaced not more than 7 in. (178 mm) on centers along supports.

7.10.2.2 Diamond-mesh expanded metal lath, flat-rib expanded metal lath, and wire lath shall be attached to horizontal wood framing members with 1½-in. (38.1-mm) roofing nails driven flush with the plaster base and attached to vertical wood framing members with 6d common nails, or 1-in. (25-mm) roofing nails driven to a penetration of not less than ¾ in. (19.1 mm), or 1-in. (25-mm) wire staples driven flush with the plaster base. Staples shall have crowns not less than ¾ in. (19.05 mm) and shall engage not less than three strands of lath and penetrate the wood framing members not less than ¾ in. (19.05 mm). When metal lath is applied over sheathing, use fasteners that will penetrate the structural members not less than ¾ in. (19 mm).

7.10.2.3 Expanded ⅜ in. (9.5 mm) rib lath shall be attached to horizontal and vertical wood framing members with nails or

staples to provide not less than 1¾-in. (44.5-mm) penetration into horizontal wood framing members, and ¾-in. (19.1-mm) penetration into vertical wood framing members.

7.10.2.4 Common nails shall be bent over to engage not less than three strands of lath, or be bent over a rib when rib lath is installed.

7.10.2.5 Screws used to attach metal plaster base to horizontal and vertical wood framing members shall penetrate not less than ⅝ in. (15.9 mm) into the member when the lath is installed and shall engage not less than three strands of lath. When installing rib lath, the screw shall pass through, but not deform, the rib.

7.10.3 *Attachments for Metal Plaster Bases to Metal Framing Members:*

7.10.3.1 Except as described in 7.10.3.2, all metal plaster bases shall be securely attached to metal framing members with 0.0475-in. 18 gauge (1.21-mm) wire ties, clips or by other means of attachment which afford carrying strength and resistance to corrosion equal to or superior to that of the wire.

7.10.3.2 Rib metal lath shall be attached to open-web steel joists by single ties of galvanized, annealed steel wire, not less than 0.0475 in. (1.21 mm), with the ends of each tie twisted together 1½ times.

7.10.3.3 Screws used to attach metal plaster base to metal framing members shall project not less than ⅜ in. (9.5 mm) through the metal framing member when the lath is installed and shall engage not less than three strands of lath. When installing rib lath, the screw shall pass through, but not deform, the rib.

7.10.4 *Attachments for Metal Plaster Bases to Concrete Joists*—Rib metal lath shall be attached to concrete joists by loops of 0.0800-in. (2.03-mm) galvanized, annealed steel wire, with the ends of each loop twisted together.

7.10.5 Metal plaster bases shall be attached to masonry or concrete with power or powder actuated fasteners or a combination of power or powder actuated fasteners and hardened concrete stub nails. One power or powder actuated fastener shall be located at each corner and one at the mid point of the long dimension adjacent to the edge of the metal plaster base sheet. The balance of the sheet shall be fastened with power or powder actuated fasteners or hardened concrete stub nails. The fasteners shall be installed in rows not more than 16 in. (406 mm) on center and spaced vertically along each row not more than 7 in. (178 mm) on center. All fasteners shall be corrosion resistant and shall be not less than ¾ in. (19 mm) long, with heads not less than ⅜ in. (9.5 mm) wide.

7.11 *Application of Accessories:*

7.11.1 *General*—All metal accessories shall be installed in such a manner than flanges and clips provided for their attachment are completely embedded in the plaster.

7.11.1.1 Accessories shall be attached to substrate in such a manner as to ensure proper alignment during application of plaster. Flanges of accessories shall be secured at not more than 7 in. (178 mm) intervals along supports.

7.11.2 *Corner Beads*—Corner beads shall be installed to protect all external corners and to establish grounds.

7.11.2.1 *External Corner Reinforcement*—External corner reinforcement shall be installed to reinforce all external corners where corner bead is not used. Where no external corner reinforcement or corner bead is used, lath shall be furred out and carried around corners not less than one support on frame construction.

7.11.3 *Casing Beads*—Nonload-bearing members shall be isolated from load-bearing members, and all penetrating elements, with casing beads or other suitable means, to avoid transfer of structural loads, and to separate from dissimilar materials.

7.11.4 *Control Joints-General*—Control joints shall be formed by using a single prefabricated member or fabricated by installing casing beads back to back with a flexible barrier membrane behind the casing beads. The separation spacing shall be not less than ⅛ in. (3.2 mm) or as required by the anticipated thermal exposure range and shall be in conformance with 7.10.1.4.

7.11.4.1 *Control Joints*—Control (expansion and contraction) joints shall be installed in walls to delineate areas not more than 144 ft²(13.4 m²) and to delineate areas not more than 100 ft²(9.30 m²) for all horizontal applications, that is, ceilings, curves, or angle type structures.

7.11.4.2 The distance between control joints shall not exceed 18 ft (5.5 m) in either direction or a length-to-width ratio of 2½ to 1. A control joint shall be installed where the ceiling framing or furring changes direction.

7.11.4.3 A control joint shall be installed where an expansion joint occurs in the base exterior wall.

7.11.4.4 Wall or partition height door frames shall be considered as control joints.

7.11.5 *Foundation Weep Screed*—Foundation weep screed shall be installed at the bottom of all steel or wood framed exterior walls to receive lath and plaster. Place the bottom edge of the foundation weep screed not less than 1 in. (25 mm) below the joint formed by the foundation and framing. The nose of the screed shall be placed not less than 4 in. (102 mm) above raw earth or 2 in. (51 mm) above paved surfaces. The weather resistive barrier and lath shall entirely cover the vertical attachment flange and terminate at the top edge of the nose or ground flange.

8. Keywords

8.1 ceiling; expansion control joints; lath; plaster; screed; suspended ceiling; walls

SUMMARY OF CHANGES

Committee C11 has identified the location of selected changes to this specification since the last issue, C 1063 – 03, that may impact the use of this specification. (Approved December 1, 2006)

(I) The minimum weights in **Table 3** for Welded and Woven wire were changed to be brought in line with Specification **C 933** and Specification **C 1032**, respectively.

ASTM International takes no position respecting the validity of any patent rights asserted in connection with any item mentioned in this standard. Users of this standard are expressly advised that determination of the validity of any such patent rights, and the risk of infringement of such rights, are entirely their own responsibility.

This standard is subject to revision at any time by the responsible technical committee and must be reviewed every five years and if not revised, either reapproved or withdrawn. Your comments are invited either for revision of this standard or for additional standards and should be addressed to ASTM International Headquarters. Your comments will receive careful consideration at a meeting of the responsible technical committee, which you may attend. If you feel that your comments have not received a fair hearing you should make your views known to the ASTM Committee on Standards, at the address shown below.

This standard is copyrighted by ASTM International, 100 Barr Harbor Drive, PO Box C700, West Conshohocken, PA 19428-2959, United States. Individual reprints (single or multiple copies) of this standard may be obtained by contacting ASTM at the above address or at 610-832-9585 (phone), 610-832-9555 (fax), or service@astm.org (e-mail); or through the ASTM website (www.astm.org).